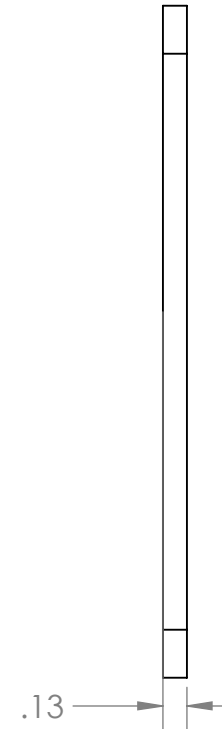
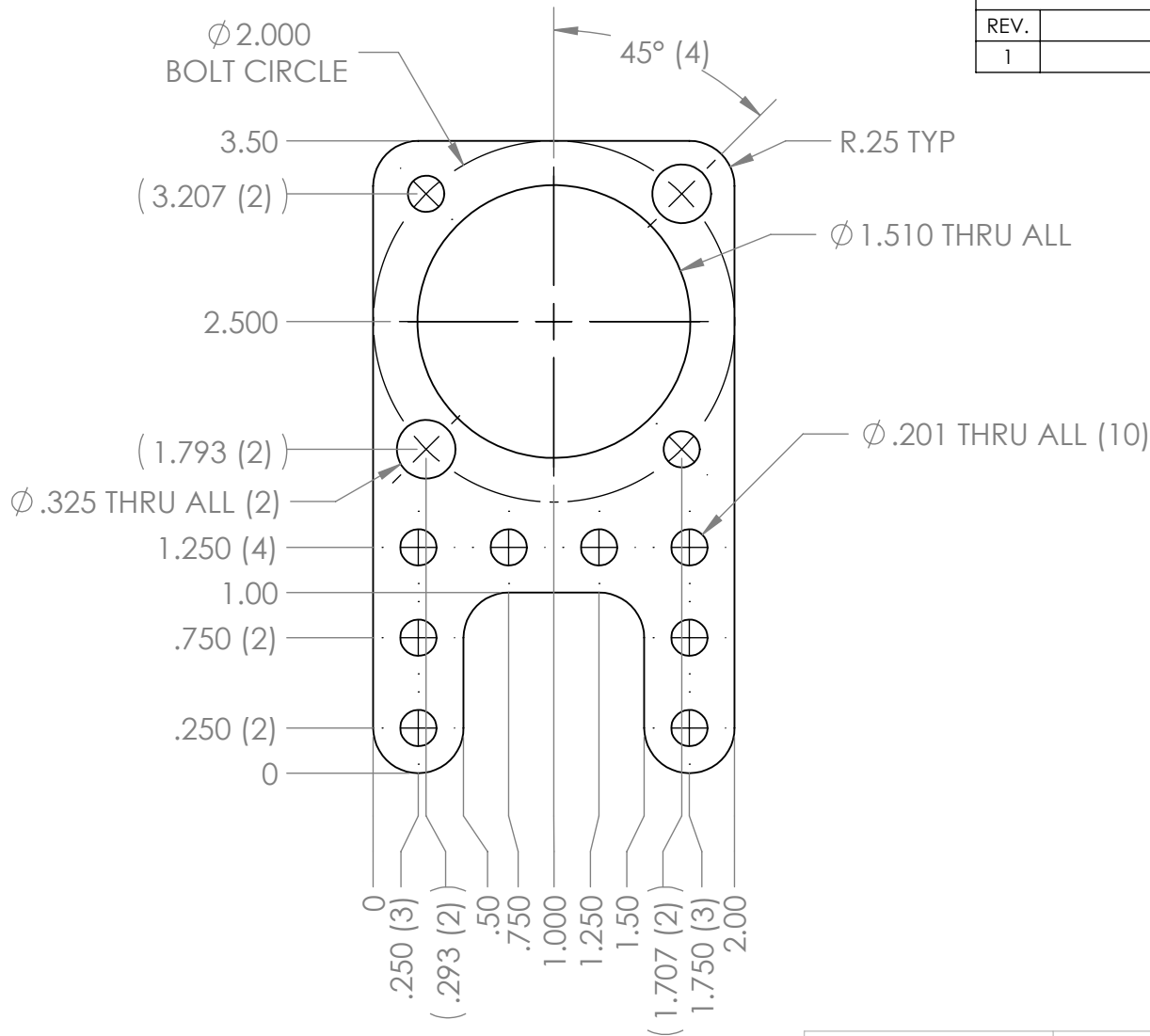
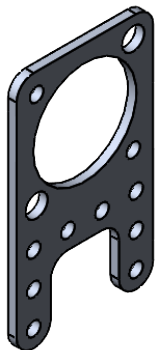


REV.	DESCRIPTION	DATE	DRAWN BY
1	ORIGINAL PRINT	10/28/2024	P. YEUNG



*** SEE CAD FOR ADDITIONAL TOOLPATH INFO***



UNLESS OTHERWISE SPECIFIED:		COMMENTS:		TITLE:		
DIMENSIONS ARE IN INCHES		DUAL DIMENSIONS ARE IN MILLIMETERS.		AndyMark		
TOLERANCES:		BREAK ALL SHARP EDGES.		ROBITS 80T SPORT GEARBOX MOUNT		
FRACTIONAL	±1/16			SIZE	DWG. NO.	REV
ANGULAR: MACH	±1°			A	am-5044	1
ANGULAR: BEND	±5°					
ONE PLACE DECIMAL	±0.1			SCALE: 1:1		SHEET 1 OF 1
TWO PLACE DECIMAL	±0.01					
THREE PLACE DECIMAL	±0.005					
FOUR PLACE DECIMAL	±0.0005					
MATERIAL	6061-T6 AL	CHECKED	NAME	DATE		
FINISH	DEBURRED	ENG APPR.	NM	12/2/24		
DO NOT SCALE DRAWING		MFG APPR.				
		Q.A.				